

Installation Instructions

STF-R824 Segmented Riser (8" high x 24" dia.)

ALWAYS USE PROPER SAFETY EQUIPMENT
WHEN INSTALLING

1. Place 3 sections in a circle with the Sim/Tech logo up and to the outside of each section (refer to Figure 3.1). It is recommended that a PVC or ABS cement be used on dovetails for assembly. If using cement to join dovetails, only do one joint at a time applying cement to both surfaces and assembling quickly. **This cement sets fast!**
2. Place female dovetail end of one section over male dovetail end of another section (refer to Figure 3.2). Slide together while keeping mating surfaces as close as possible until hand-tight. It may be necessary to finish assembly with a hammer to make flush with adjoining section. Assembling risers on a flat hard surface will make the task easier to accomplish.
3. Repeat previous step with section next to it.
4. The last and final section will require the partially assembled riser to be torqued in order to fit dovetails together as described earlier (refer to Figure 3.3).

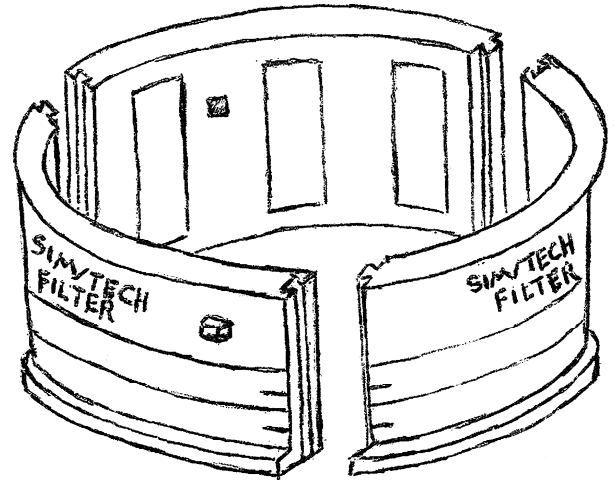


Figure 3.1

Assembled risers can be stacked to desired height. Risers can be joined together with many types of sealants such as a silicone rubber, 3/8 round bead butyl sealant, or PVC cement as done with the dove tails. **Glue and assemble quickly.** PVC cement should supply sufficient joint strength by its self. If other sealants are used the risers should be additionally secured with a 1" to a 1 1/4" #8 or #10 SS screw on the bottom flange and in the middle of each section for a total of 3 screws per completed riser. For maximum vertical strength, assemble the riser dove tails directly over the riser dove tails below.

This 8" high riser is stackable and is ribbed for easy on-site cutting to field heights of 2" or 4". A circular saw with a carbide tipped blade works best. A sharp carpenter saw also works well if power tools are not available.

These risers will accept most 24" diameter covers. For best all around quality, use Sim/Tech's new cast iron cover, polycarbonate cover or locking polycarbonate cover.

It is highly recommended that you use Sim/Tech's STF-N24 Security Net on all systems to prevent accidental or unauthorized entry that can occur during system servicing or if the cover becomes compromised through tampering, missing screws, etc.

Note: All types of risers should be backfilled with sand to prevent frost from lifting risers in cold climate areas. Clay and muck have very high expansion characteristics when frozen and should not be used to backfill. If desired, Sim/Tech has a frost shield available for areas where sand is not easily obtained. This product is intended for burial and should not be exposed to UV rays unless painted.

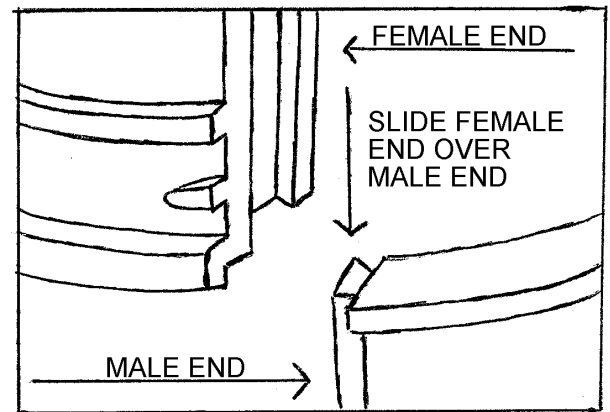


Figure 3.2

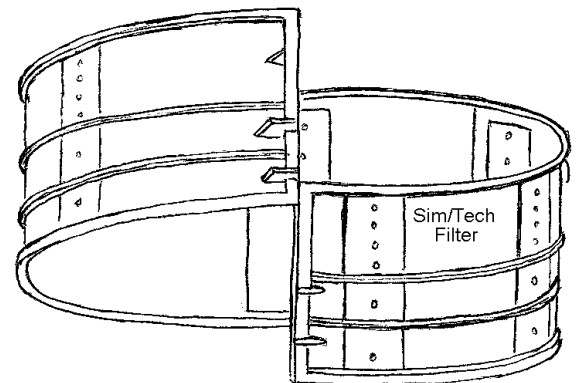


Figure 3.3